

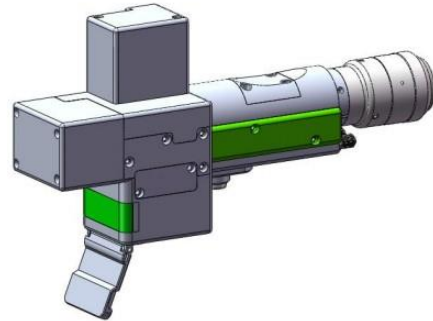
الأردنية للتصنيع الآلي
نحن نقود نحن ننجز

JOCAM

Jordan Automation

We Lead We Achieve

Fiber Laser Cleaning, Welding and Cutting Machine



Hypertherm

KMT

IPG
PHOTONICS

Roland

Al Sakhra Al Musharafa Street - M. Abu Khamseh Complex
Telefax : +962 6 4744749/5 - P.O.Box 923218 Amman 11192 Jordan

Jeddah - King Abd Al-Aziz Street - Queen Building - Office 803
Telefax : +966 12 643 2425 - P.O.Box 34894 Jeddah 21478 KSA

Email: info@jordan-automation.com - Website: www.jordan-automation.com  @JOCAM.Ltd

General Tech Data

| Item number | Item | Parameters |
|-------------|--------------------|---|
| 1 | Name | Hand-held Fiber Laser Clean Machine |
| 2 | Laser Power | 1000W/1500W/2000W/3000W |
| 3 | Laser Wave Length | 1080Nm |
| 4 | Fiber Lead Length | 10 meters |
| 5 | Consumption Power | 4/6/8/12KW |
| 6 | Cooling Way | Water cooling |
| 7 | Cooling Water | Pure water or distilled water |
| 8 | Clean head weight | 0.96KG |
| 9 | Gas | Nitrogen or Argon |
| 10 | Clean mode | — ○ ⊕ ⊗ ⊕ ⊗ / direct line only |
| 11 | Clean width | 200x200mm / 0--300mm line only |
| 12 | Power Supply | 1000w --2000w: AC 220V±10%, 1ph, 50/60Hz 3000w: AC 380V±10%, 3ph, 50/60Hz |
| 13 | Dimension | 1400*770*1340mm |
| 14 | Weight | 210KG |
| 15 | Operation Language | English, Russia, Germany, France, Korea, Japanese, Spanish, Portuguese, Arabic, Poland, Czech, Thailand, Turkish, Chinese |

Configuration



All-in-one cabinet, save room



Laser source and water chiller,
compact size



Handheld clean head, double swing, big and
multi type cleaning width



Branded Laser Source,
100,000hours working life,
low power consumption



Handheld clean head, sing swing, big cleaning
width up to 300mm

الأردنية للتصنيع الآلي
نحن نقود نحن ننجز

JO CAM

Jordan Automation

We Lead We Achieve

Machine size and packing size

净重: 167kg



| Capacity | Machine Size | Package Dimension | Gross Weight |
|----------------------------------|----------------|-------------------|--------------|
| 1000w 1500w 2000w 3000w | 970*610*1110mm | 1400*770*1340mm | 210KG |

Hypertherm

KMT

IPG
PHOTONICS

Roland

Al Sakhra Al Musharafa Street - M. Abu Khamseh Complex
Telefax : +962 6 4744749/5- P.O.Box 923218 Amman 11192 Jordan

Jeddah -King Abd Al-Aziz Street - Queen Building - Office 803
Telefax : +966 12 643 2425 - P.O.Box 34894 Jeddah 21478 KSA

Email: info@jordan-automation.com - Website: www.jordan-automation.com  @JOCAM.Ltd

Terms & Conditions

General Terms

- ❖ Customer is responsible for providing all electrical, air, and other utility connections to the machine
- ❖ Customer is to provide placement of machine components via fork lift or over-head crane.
- ❖ Customer must attain earth an earth ground with a measured value < 1 volts to earth ground or less.

Installation & Training

- ❖ Our Engineers will install the machine and train operators in customer's facility
- ❖ Our Engineers will Maintain the machine in the warranty period without extra fees

Warranty

- ❖ According to our warranty conditions 12 months parts and labour and doesn't include Consumables.

Hope that our offer will be up to your satisfactory

If you have any questions or requirements, please let me know at any time. It will be our big pleasure if we have opportunities to be on service of you in near future.